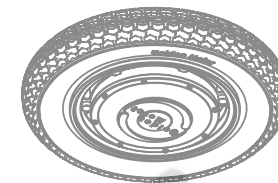
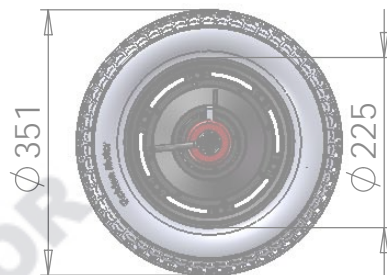
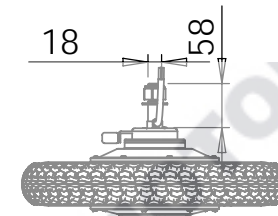
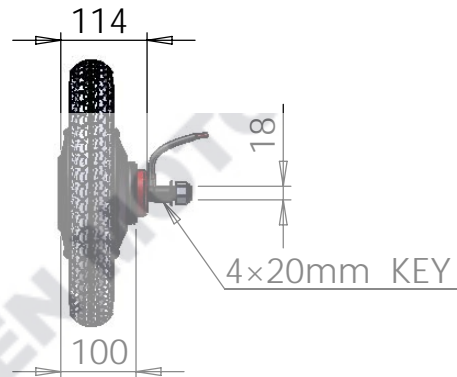


MOTOR	Motor Type:	VDC,Brush
	Max.Efficiency Voltage:	24V
	Continuous Duty Watts:	180W
	Continuous Duty Amps:	
	Motor Leads:	



NOTE:
 1.ALL DIMENSIONS NOT SHOWN ARE THAT THE MANUFACTURES DISCRETION.
 2.ANY CHANGES MADE IN MATERIAL OR DIMENSIONS MUST BE APPROVED BY GOLDENMOTOR.

REL#:	BY: TOM	DATE: 04/21/09
USED ON:	Electric Wheelchair	
SCALE: NONE	GOLDEN MOTOR	DRWN BY: TOM
SHEET: 1 OF 1		CHKD BY: TOM
TITLE:	wheelchair motor	
MATRL:	PART NO.:	